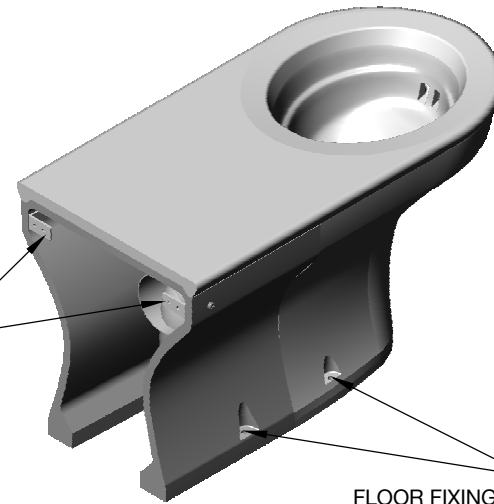
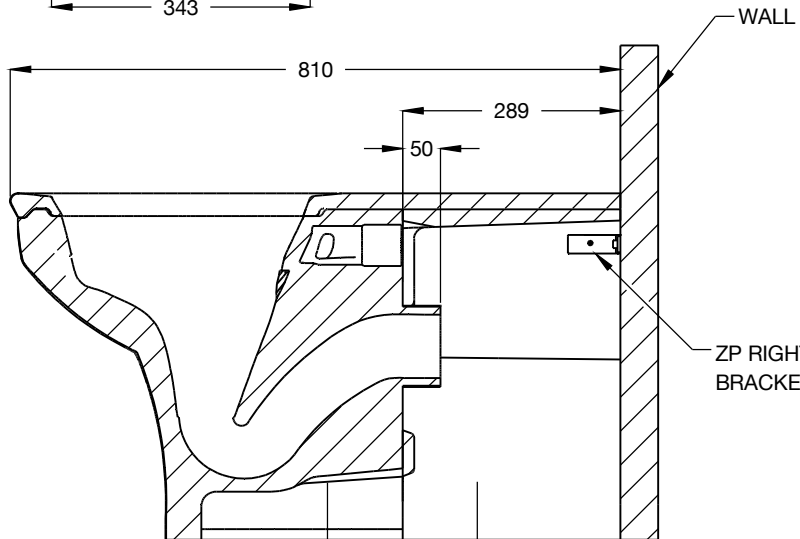


2x ZP RIGHT ANGLE BRACKETS



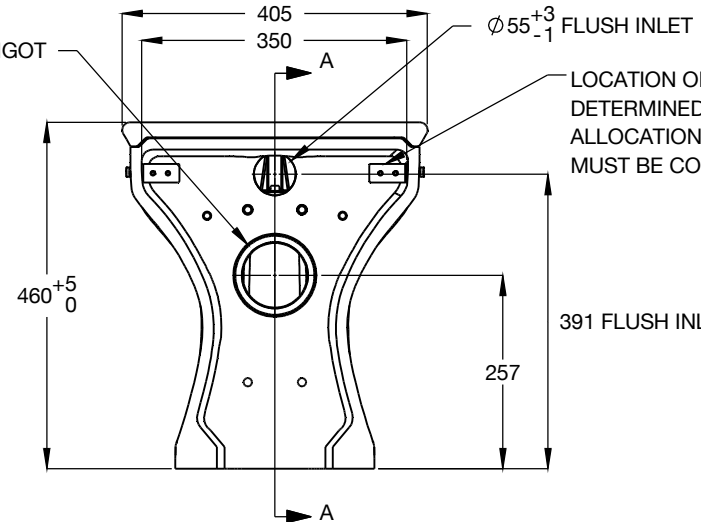
4x - TORX DRIVE BUTTON HEAD SCREW BOLT GALVANISED, 7.8 x 60 mm

FLOOR FIXINGS



SECTION A-A

Ø 108 WASTE SPIGOT



NOTE:

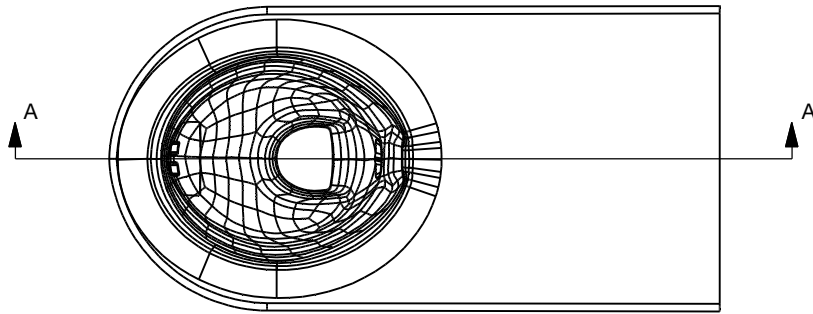
- 1) SIDE SCREWS, WASHERS & WALL ZP RIGHT ANGLE BRACKETS ARE PROVIDED.
- 2) FLOOR FIXING POINTS ARE PROVIDED ON EACH SIDE OF THE PAN FOOT, FIXINGS AS SHOWN ARE SUPPLIED.
- 3) SEE SHEET 2 FOR WASTE CONNECTION OPTIONS.

MATERIAL: #	REV	DESCRIPTION	DATE	APPD
POLYESTER SOLID SURFACE	A	APPROVED FOR PRODUCTION		
WEIGHT:				
REVISION: A				

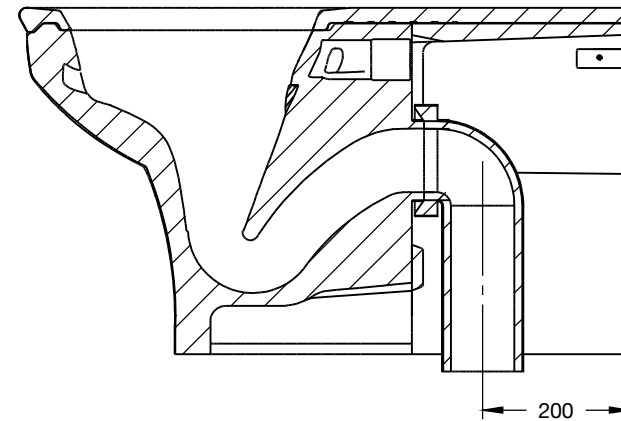
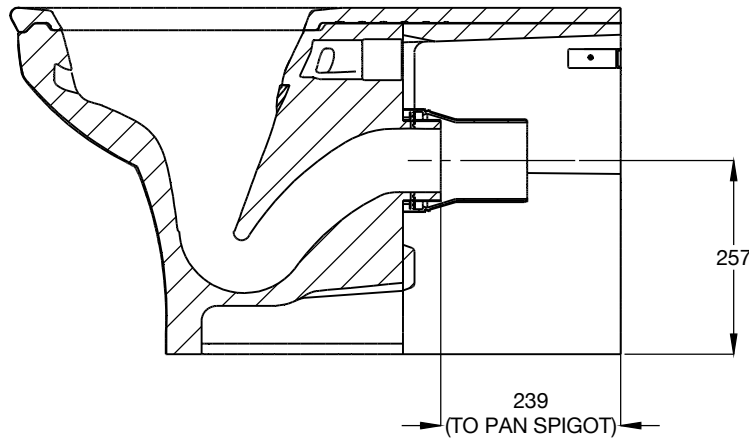
FINISH	SATIN POLISH
UNLESS OTHERWISE STATED ALL DIMENSIONS IN MM TOLERANCES	
X	±1.0
.X	±0.1
.XX	±0.05

<p>410 VICTORIA RD MALAGA WA ABN:78 008 719 382</p>	<p>GalvinEngineering the mark of reliability</p>	
	IF IN DOUBT ASK	TITLE
DRN SA 15/12/2020	WALLGATE A/LIGATURE, A/VANDAL DISABLE S/SURFACE PAN W/ GREY INT GREY SEAT & FRONT FIXING	
CKD	MANUFACTURED TO: AS N/A	DRAWING NO
APPD	SCALE NOT TO SCALE	CWC-155FF-STJ-BC
ISSUED	SHEET 1 OF 2	

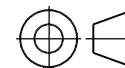
NOTE:
1) WC PAN CONNECTORS FOR WASTE ARE INCLUDED.



A-A STRAIGHT WC CONNECTOR



A-A 90° WC CONNECTOR



GalvinEngineering
the mark of reliability 
410 VICTORIA RD MALAGA WA ABN:78 008 719 382

MATERIAL: #	REV	DESCRIPTION	DATE	APPD
POLYESTER SOLID SURFACE	A	APPROVED FOR PRODUCTION		
WEIGHT:				
REVISION: A				

FINISH	SATIN POLISH
UNLESS OTHERWISE STATED ALL DIMENSIONS IN MM TOLERANCES	
X	±1.0
.X	±0.1
.XX	±0.05

IF IN DOUBT ASK	TITLE	WALLGATE A/LIGATURE, A/VANDAL DISABLE S/SURFACE PAN W/ GREY INT GREY SEAT & FRONT FIXING	
DRN SA 15/12/2020	MANUFACTURED TO:	AS N/A	DRAWING NO
CKD	SCALE	NOT TO SCALE	CWC-155FF-STJ-BC
APPD	SHEET 2 OF 2		
ISSUED			